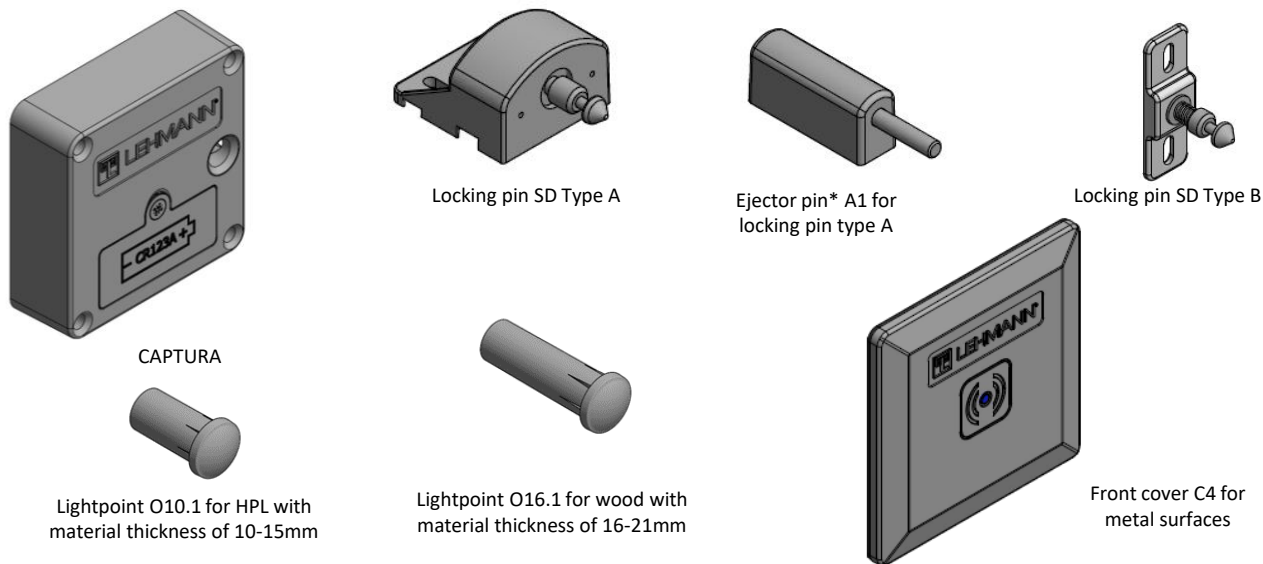


CAPTURA 100 LEGIC

Technical specifications

Frequency	13,56MHz LEGIC
RFID technology	LEGIC prime, LEGIC advant, MIFARE® Classic, MIFARE® DESFire® EV1 & EV2, HID iClass, ISO 14443, ISO 15693 Support of smartphones with LEHMANN Transponder app only with master cards (no LMS) from firmware vers. 2.x. Smartphones are <u>not</u> supported by locks with LEGIC master token.
Bluetooth	Prepared for Bluetooth communication (BLE) with LEGIC Mobile SDK or customer specific solution.
Operating mode	„Assigned use“ or „shared use“ selectable with programming cards <u>or</u> with LMS. In order to use the operating mode “shared use” with LEGIC advent transponders, the RFID system must be configured with LEGIC System Authorization Media (SAM). MIFARE® Classic and LEGIC prime transponders are only supported in the mode “assigned use” without LEGIC stamp by using master- and programming cards.
Factory settings	Usage of installation cards possible. After programming the master-card, the system is initially in the mode „assigned use“.
Reading range	Up to 30 mm with LEHMANN user cards. Other transponders may have a shorter reading range and must be checked in advance.
Battery type	1 x CR123A
Applications	Suitable for indoor applications in the office environment. For use on metal surfaces, the front cover C4 must be used.
Conformity	The RFID system is approved for Europe. No special approval is required in China. Other countries on request.

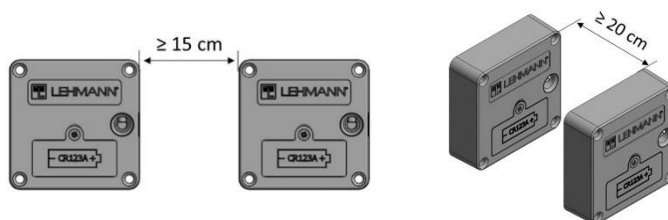
Components



* The use of the ejector pin A1 together with spring-loaded hinges must be checked on a project basis.

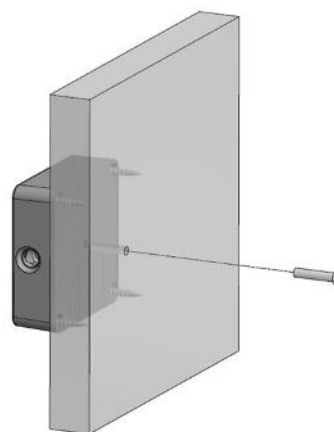
Required distance between the locks

The distance between two or more locks with an inserted battery must be at least 15 cm (lateral distance) and 20 cm (frontal distance) during storage, transport and operation.



Optical signaling with optional lightpoint

- A LED is in the center of the back-side of the lock.
- To recognise the optical signals, a hole in the furniture and a lightpoint is required.
- There are two lightpoints for different material thicknesses:
 - Lightpoint O10.1 for HPL with 10-15mm
 - Lightpoint O16.1 for wood with 16-21mm



Configuration and usage

- The lock Captura can be configured with master- and programming cards or with the LEHMANN Management Software LMS.
- Existing transponders can be used (compatibility and reading range checks required).
- Master cards can be reordered.
- Programming card „P4: Auto Locking“: After the lock has been opened in assigned use mode, it locks automatically after 5 seconds.

Sets

Order nr.	Drawing	Description
040160012	0.503.3051	Set: Captura 100 LEGIC, fixing material, locking pin SD Type A, battery, set-packing
040160013	0.503.3052	Set: Captura 100 LEGIC, fixing material, locking pin SD Type A, battery, industrial packing
040160014	0.503.3053	Set: Captura 100 LEGIC, fixing material, locking pin SD Type B, battery, set-packing
040160015	0.503.3054	Set: Captura 100 LEGIC, fixing material, locking pin SD Type B, battery, industrial packing
040160016	0.503.3055	Demo-Set: Captura 100 LEGIC, fixing material, locking pin SD Type A, ejector pin A1 for locking pin SD Type A, locking pin SD Type B, lightpoint O16.1, lightpoint O10.1, battery, RFID cards (Installation card, Master Demo card, 2 x User cards, Programming cards Mode, Sound, Reset, Auto Locking), self-adhesive RFID sticker, set-packing

The fixing material in all above mentioned sets is for wood with a thickness of 16-19mm.

Optional equipment

Order nr.	Drawing	Description
460060001	0.503.3018	Ejector pin A1 for locking pin Type A, set-packing
460060002	0.503.3018	Ejector pin A1 for locking pin Type B, industrial packing
040040086	0.503.3050	Front cover C4 für metal surfaces incl. 4 screws (Thermoplast 3x25), set-packing
040040085	0.503.3049	Front cover C4 for metal surfaces incl. 4 screws (Thermoplast 3x25), industrial packing
040033316	1.778.122	Lightpoint O16.1 for optical signaling for wood with material thickness of 16 - 21mm, 5mm diameter ; 25 pieces
040033315	1.778.121	Lightpoint O10.1 for optical signaling for HPL with material thickness of 10 - 15mm, 5mm diameter ; 25 pieces

Installation card	The installation card can be used specially for assembly and testing purposes in order to perform basic functions on the lock (opening and closing). This card is for universal use. Prior programming of a master card is not necessary. After a master card has been programmed for the first time, the lock is disabled for the installation card.
Master card	For commissioning, a master card must be programmed. The master card is required for starting and terminating programming operations. This also includes the programming of user cards in "assigned use" mode. The master card also enables the so-called Facility Manager function and the emergency opening of the lock. One master card can be programmed per lock. You can use one master card for several locks.
User card	User cards are used to open and close the lock. In "assigned use" mode, up to 250 user cards can be programmed on one lock. In "shared use" mode, one user card can be used temporarily on one lock. It is possible to program one user card on several locks in "assigned use" mode, and at the same time on one lock in "Shared use" mode.
Programming card set	For certain programming functions, programming cards are required in conjunction with the master card. The programming card set consists of 3 programming cards: <ul style="list-style-type: none"> • P1: Mode (change of mode) • P2: Sound (activating or deactivating acoustic signals) • P3: Reset (reset to factory settings)
Programming card P4: Auto Locking	The programming card P4: Auto Locking can only be used in the operating mode „assigned use“. The activation takes place together with the master card. After opening the lock with a transponder, the lock closes automatically after 5 seconds.
Programming card P6: Unlimited Shared Use	The programming card P6: Unlimited Shared use can be used in operating mode "shared use". After activation of this feature, one RFID transponder can lock several locks (attention: even up to <u>all</u> locks!), instead of only one lock per transponder in operating mode "shared use".
Update card	In conjunction with the master card, the update card allows firmware updates to be loaded into this system.
Service key	The individual service key allows a reordering of the master card. It is not possible to reorder a master card without a service key! This card has no electronic function!

Attention:

- A LEHMANN master card and programming cards or the LEHMANN Management Software LMS is required for commissioning and configuring the lock Captura!
- Replacements of master cards can be ordered. Replacement cards are copies of the original cards and they have the same functions and rights as the original master card.
- Existing transponders from a third party provider can be used as user cards. Write permissions on the transponders are required for the usage of LMS and for "shared use" operating mode! In order to use the operating mode "shared use" with LEGIC advent transponders, the RFID system must be configured with LEGIC System Authorization Media (SAM). MIFARE Classic and LEGIC prime transponders are only supported in the mode "assigned use" without LEGIC stamp. MIFARE Classic and LEGIC prime transponders are not supported in LMS. Existing transponders must be checked in advance for compatibility and reading range!

Order nr.	Description
051250021	Basic set: Master card, update card, service key
051250023	Installations card
051250024	Programming card set: Mode-card, Sound-card, Reset-card
051250034	Programming card "P4: Auto Locking"
051250045	Programming card "P6: Unlimited Shared Use"
051250025	Replacement Master card (copy) ; only with order nr. 051250021